

Wall mounted double pylon system with 2 boards
manually height adjustable



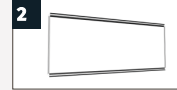
PACKAGE CONTENTS

A



1 x

B



2 x

C



2 x



8 x 8 mm



8 x 5x55



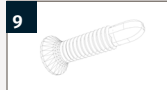
2 x 70 mm



2 x



8 x



56 x 4,2x16



8 x M8



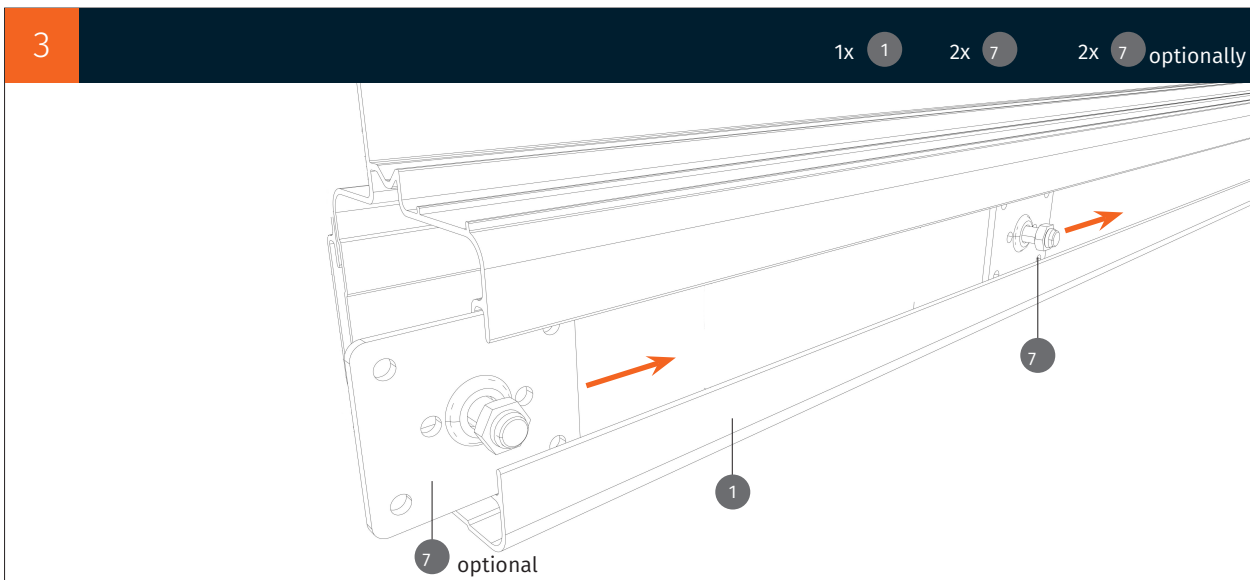
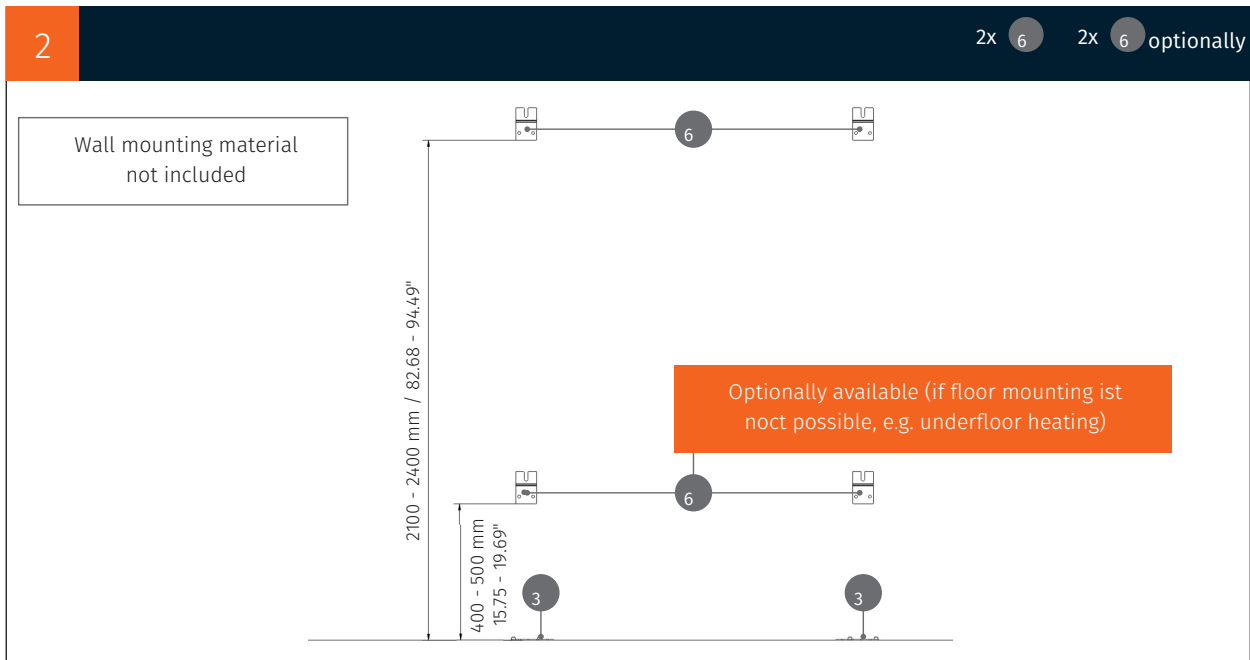
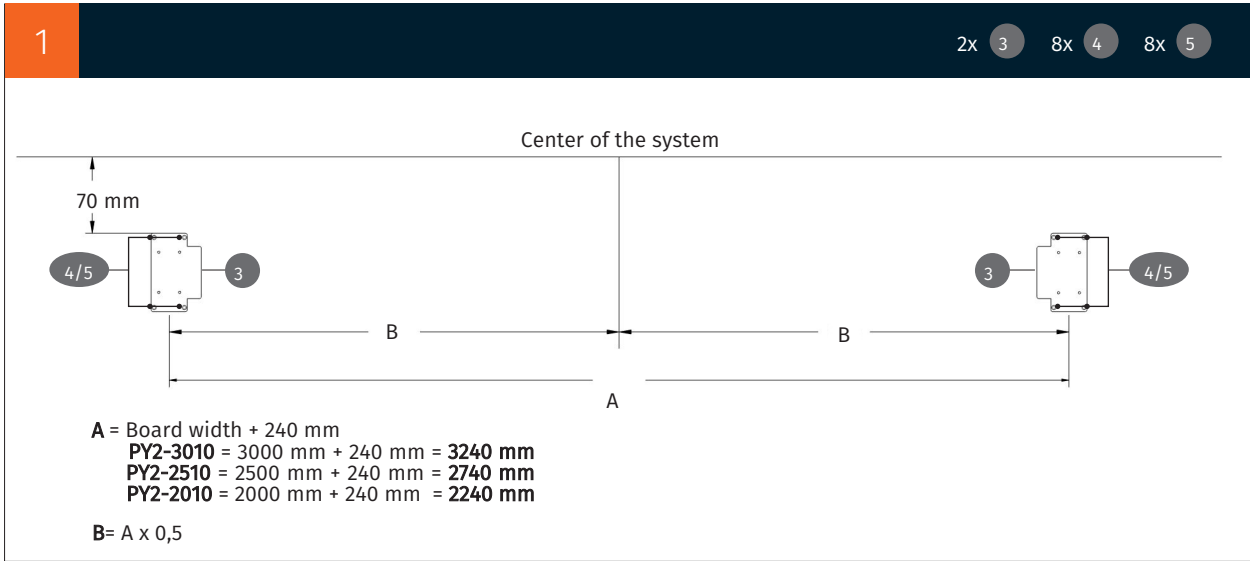
1 x MA-0002

D



2 x

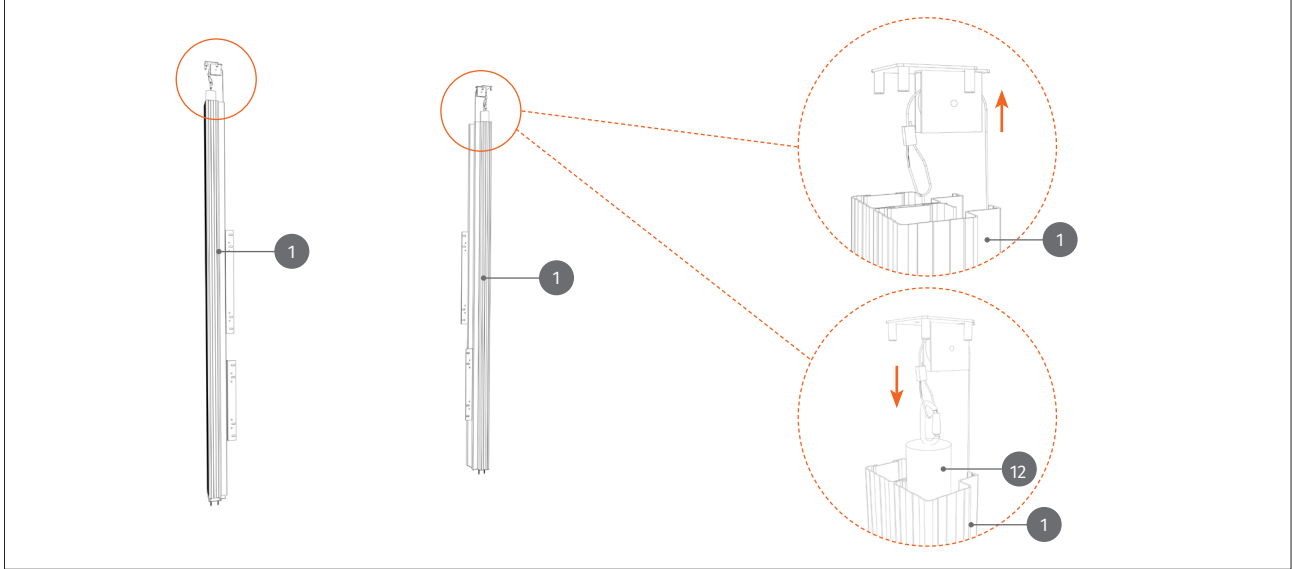
ASSEMBLY INSTRUCTION



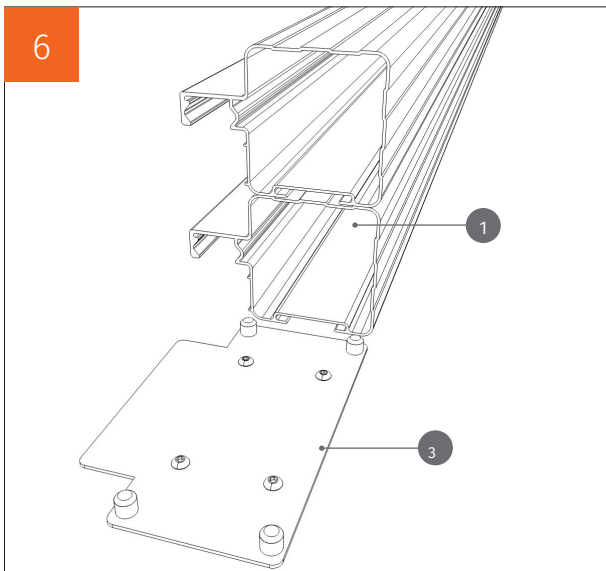
ASSEMBLY INSTRUCTION

5

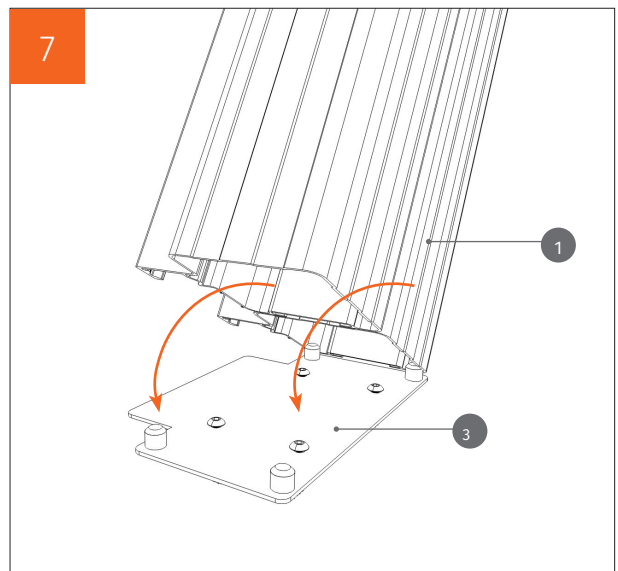
2x 12



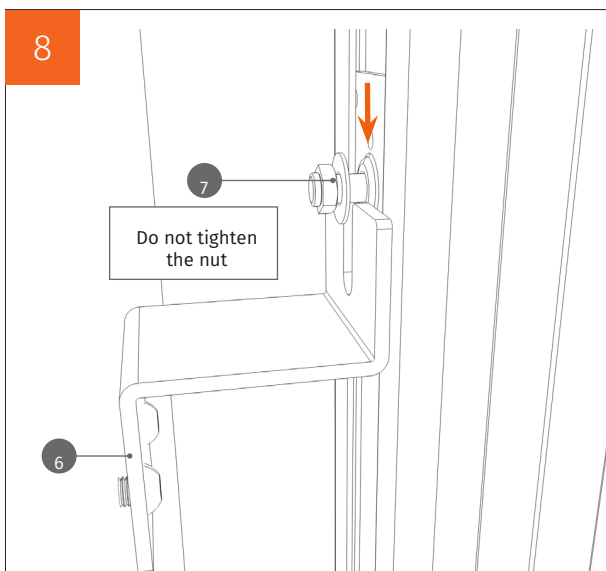
6



7



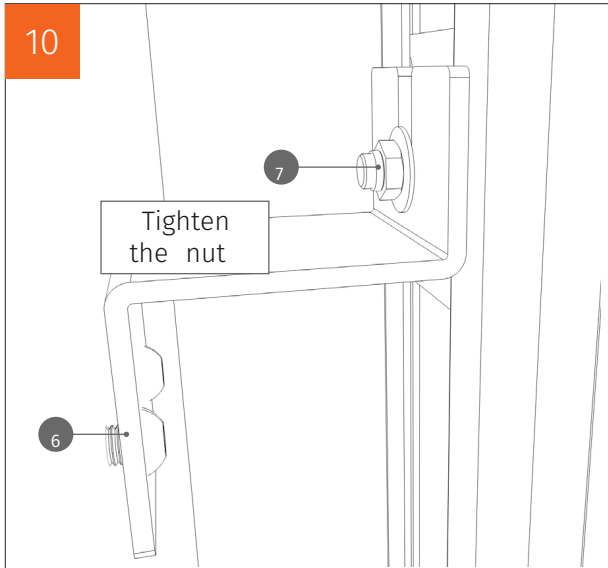
8



9

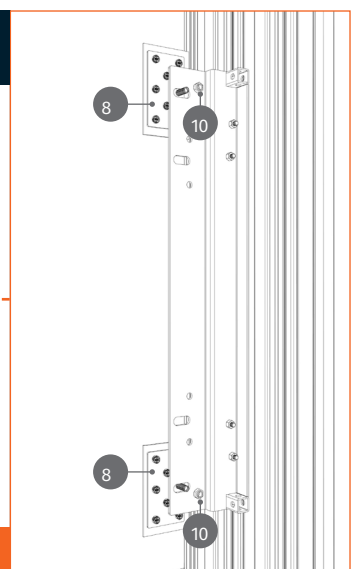
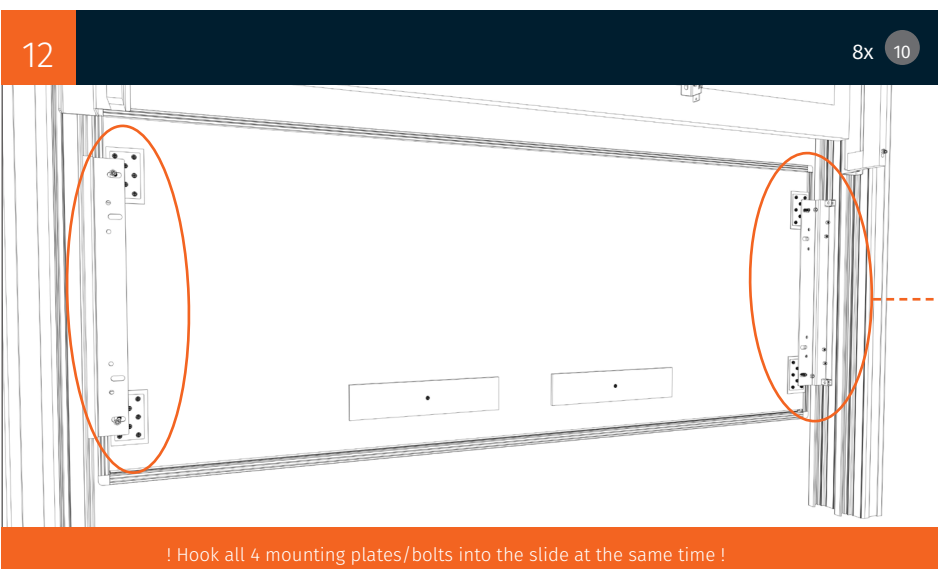
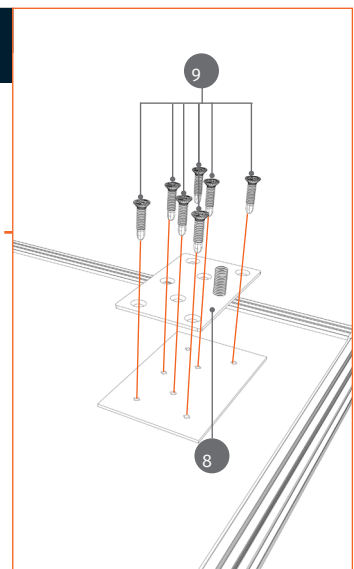
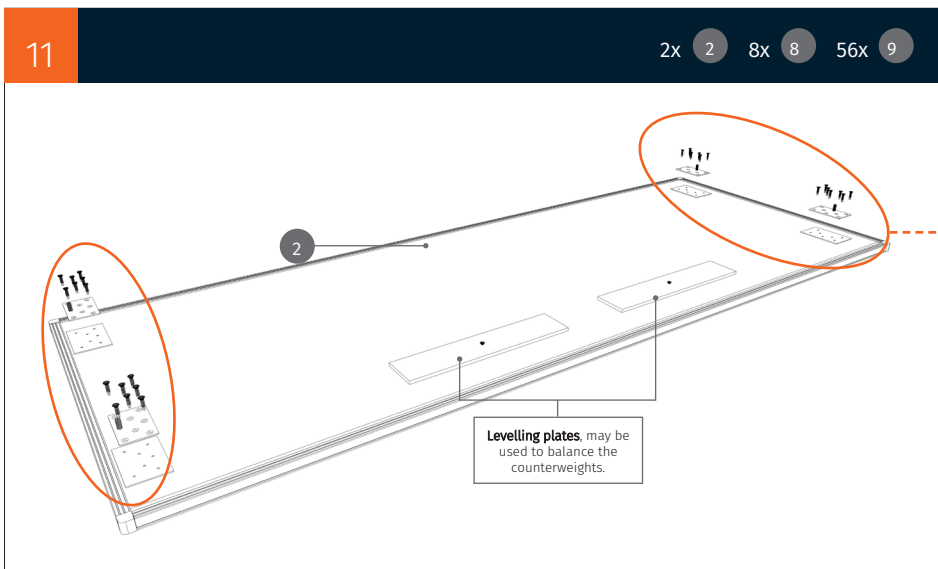
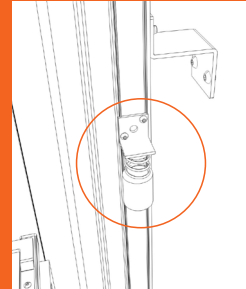
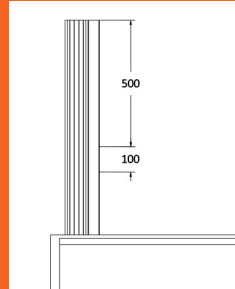


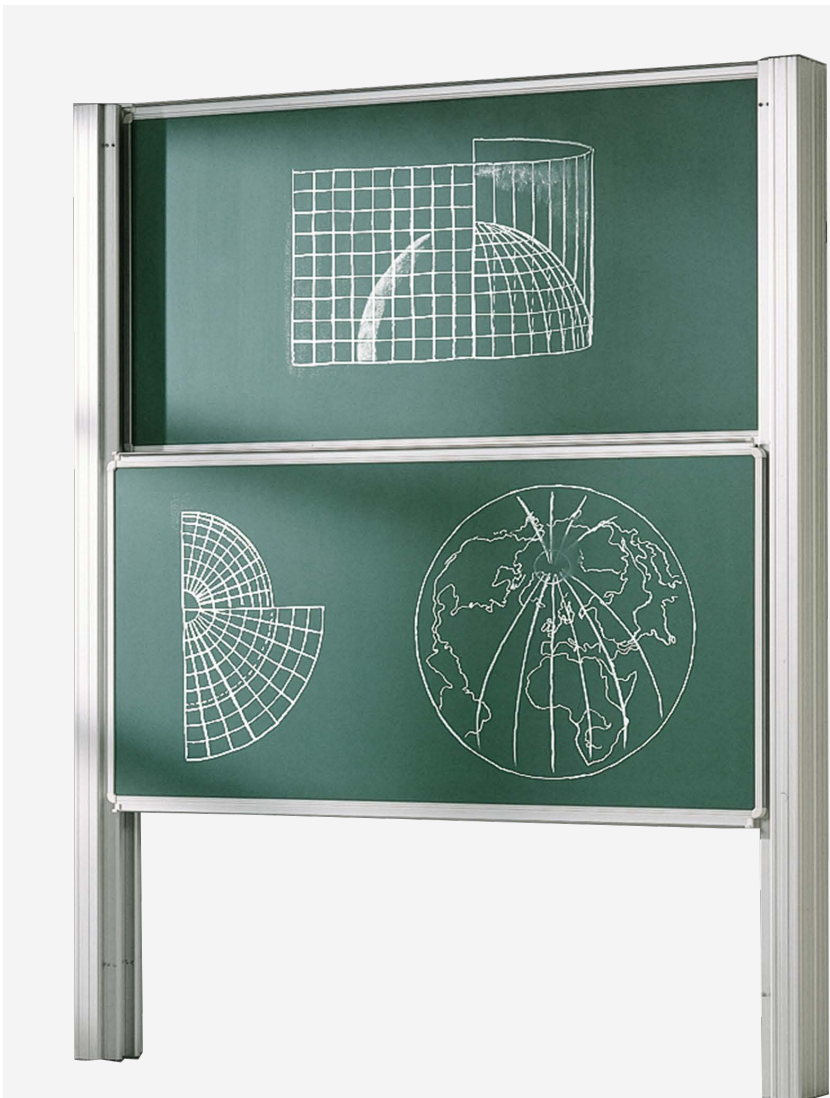
ASSEMBLY INSTRUCTION



Please check the sliding movement, so that the board does not hit the ceiling or the counterweights do not touch the floor.

If necessary, move the upper limit stops up or down.





Conen Produkte GmbH Conenstr. 4
54497 Morbach-Gonzerath Germany

T +49 6533 75-100

E info@conen-produkte.com

www.conen-produkte.com