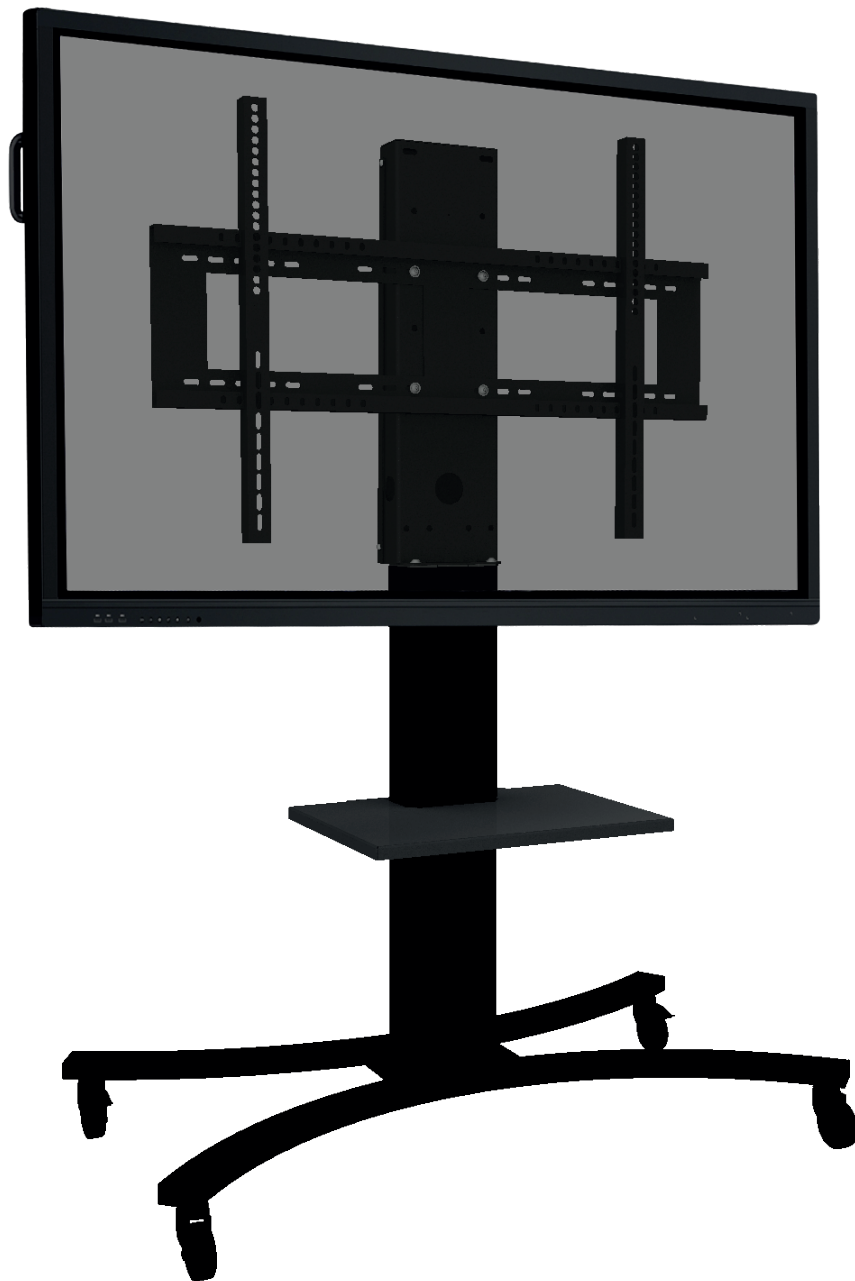
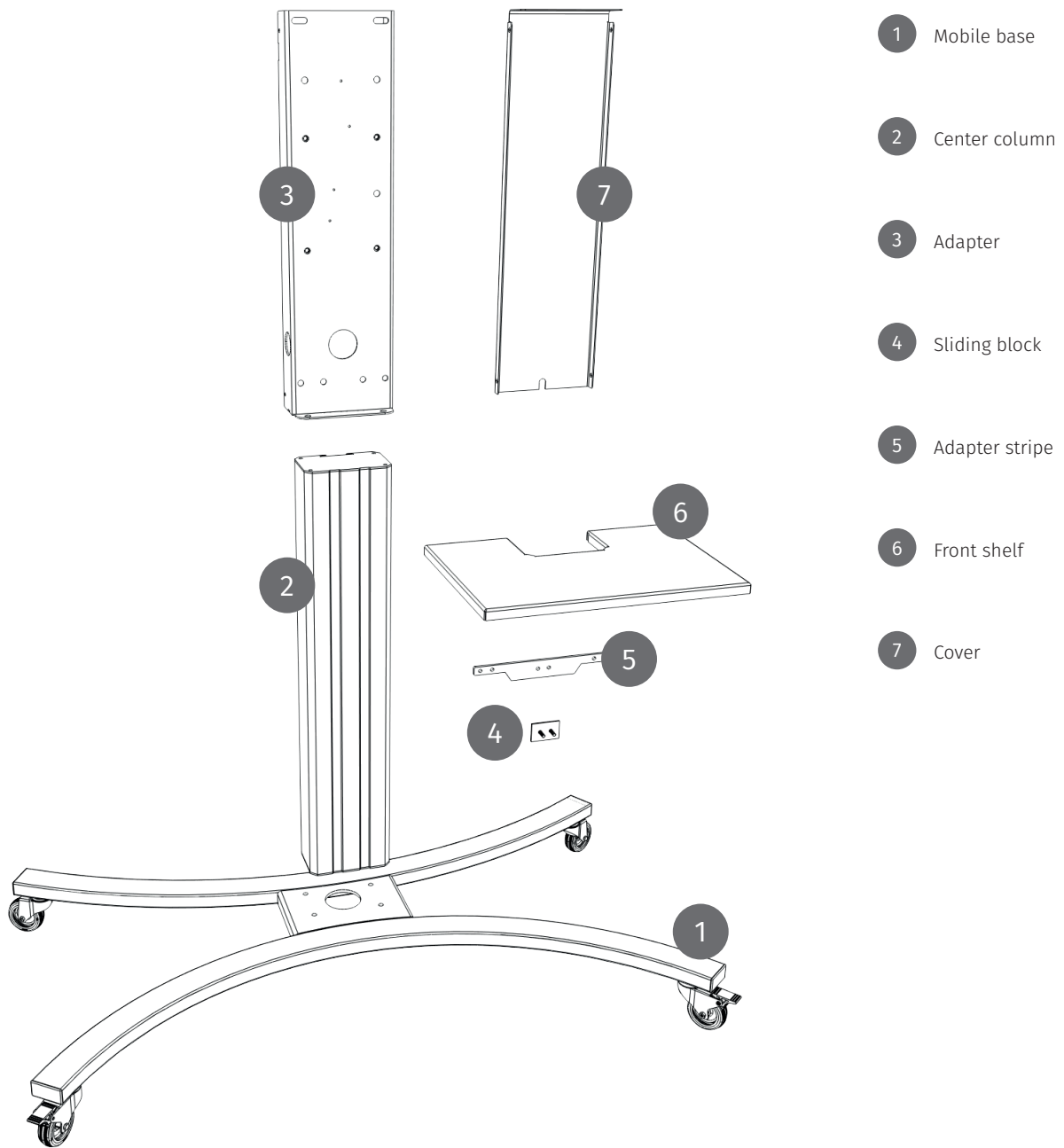


Fixed mobile stand for 55-86" Displays



PACKAGE CONTENTS



- 1 Mobile base
- 2 Center column
- 3 Adapter
- 4 Sliding block
- 5 Adapter stripe
- 6 Front shelf
- 7 Cover



A

8 x M8 x 40
Flange screw



B

4 x M8 x 20
Flange screw



C

4 x M8
Self-locking
flange nut



D

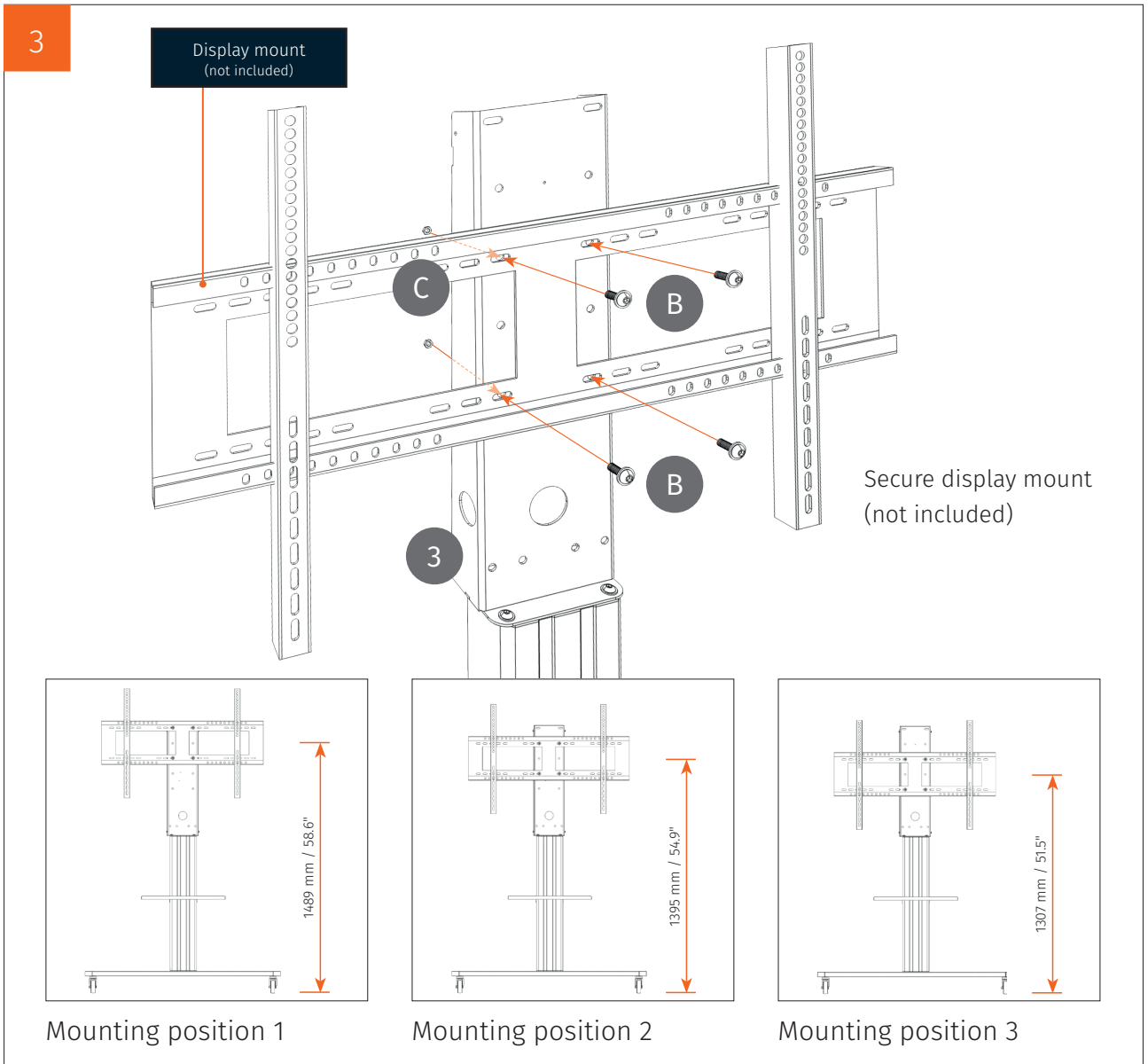
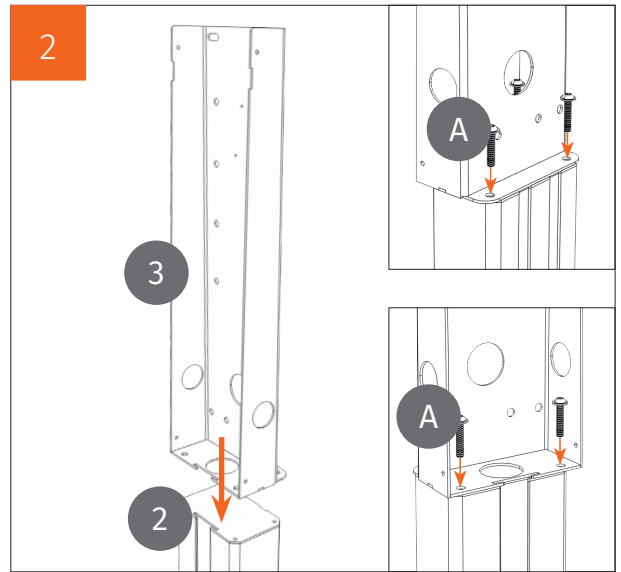
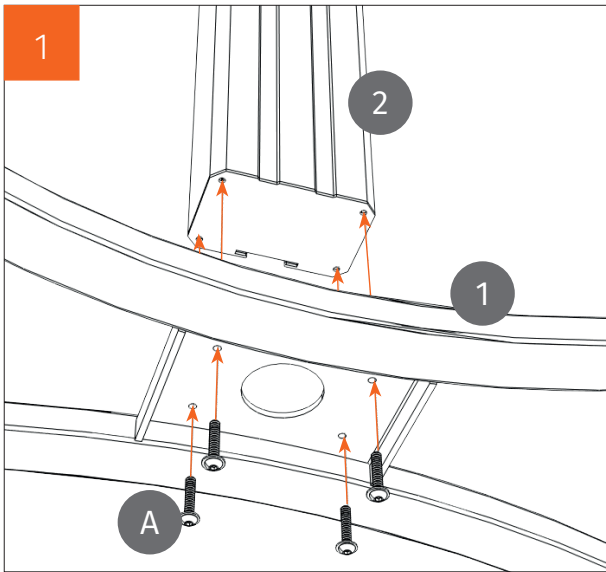
2 x M6
Self-locking
flange nut



E

8 x M6 x 12
Flange screw

MOUNTING INSTRUCTIONS



MOUNTING INSTRUCTIONS

