

SCENHVCB

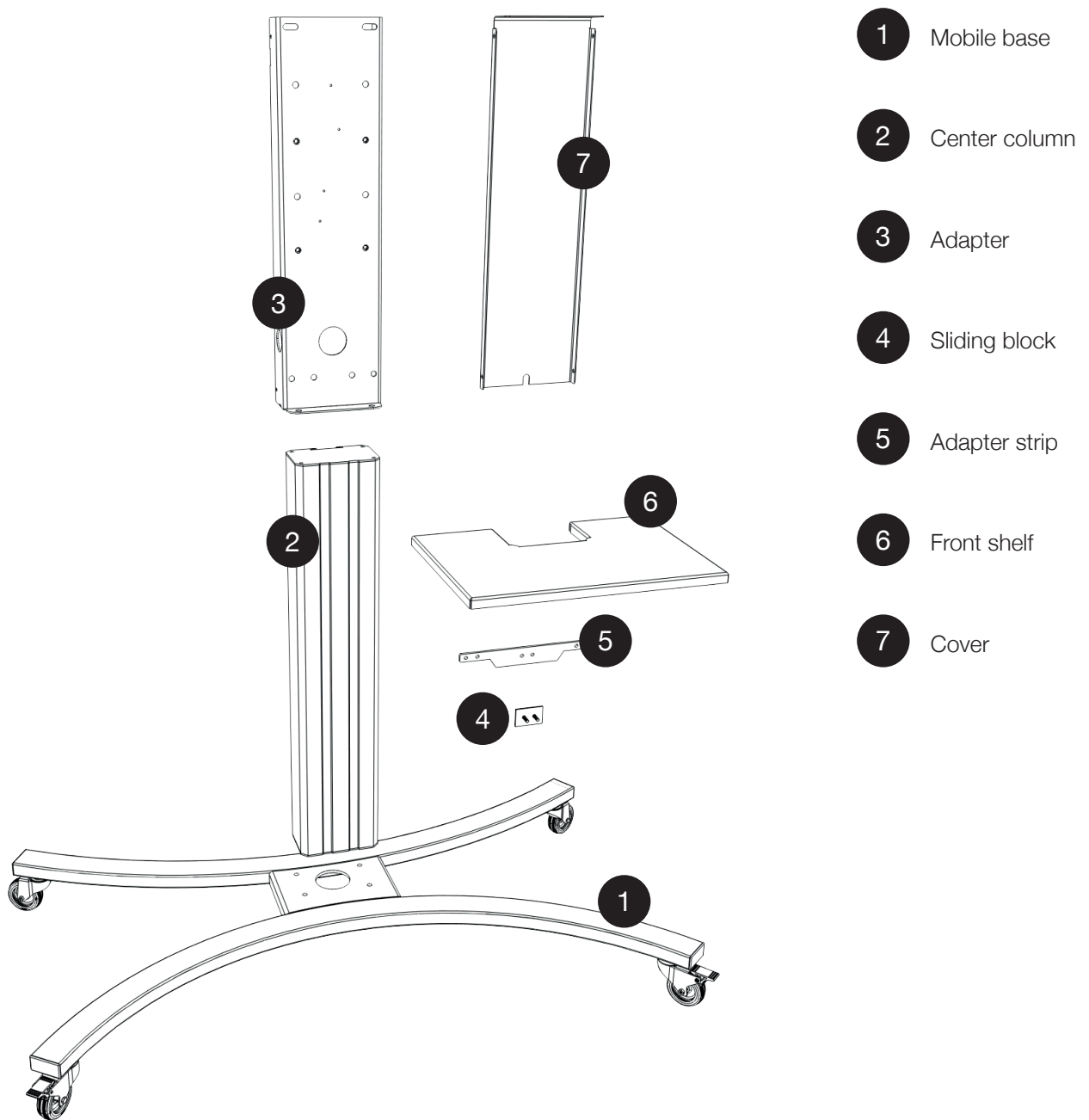
**CONEN**<sup>®</sup>  
*mounts*

ASSEMBLY INSTRUCTION



**FIXED MOBILE STAND**  
FOR USE WITH FIXED WALL MOUNT

# PACKAGE CONTENTS



- 1 Mobile base
- 2 Center column
- 3 Adapter
- 4 Sliding block
- 5 Adapter strip
- 6 Front shelf
- 7 Cover



**A**

8 x M8 x 40  
flange screw



**B**

4 x M8 x 20  
flange screw



**C**

4 x M8  
self-locking flange nut



**D**

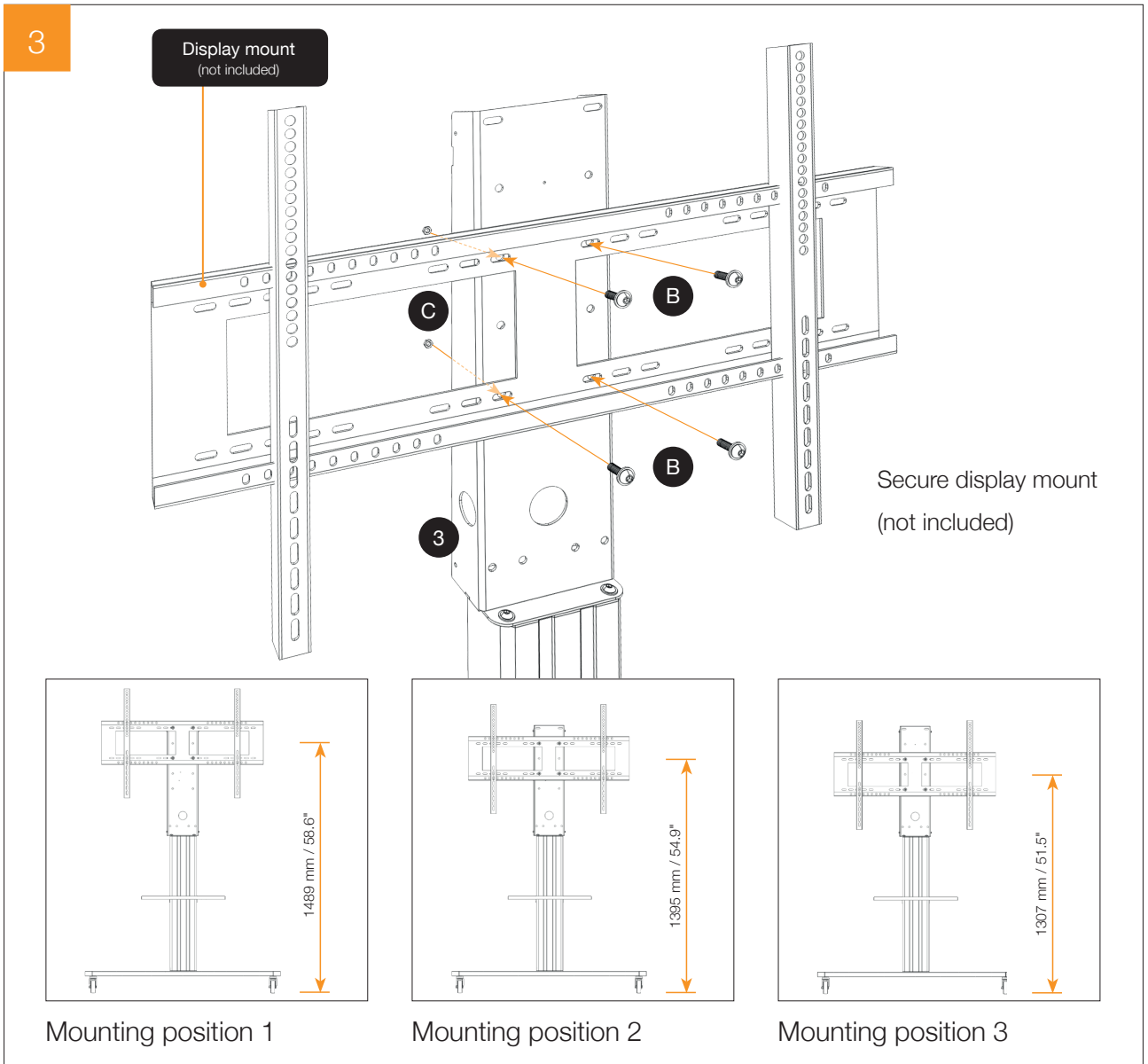
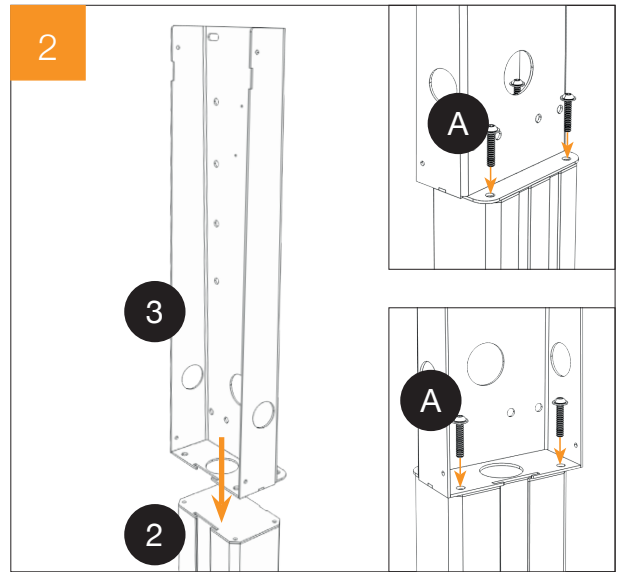
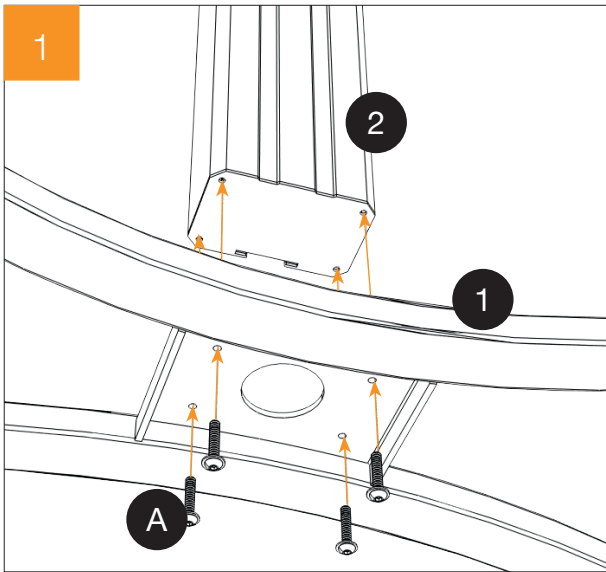
2 x M6  
self-locking flange nut



**E**

8 x M6 x 12  
flange screw

# MOUNTING INSTRUCTIONS



# MOUNTING INSTRUCTIONS

